

IMPERIAL

General Installation Instructions For Cloak Basin Stands



Important Information:

Please check the products for transport damage and that contents are complete before installation.

Consult a qualified plumber if you have any problems installing this product.

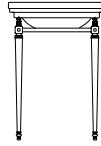
Complaints made following installation regarding the above cannot be accepted.

Introduction

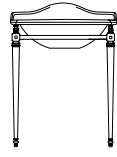
Thank you for purchasing this imperial product. These instructions relate to the following products.



Heyford/Oxford Cloak Stand



Astoria Deco Cloak Stand



Drift Cloak Stand

Before you start:

Check you have the necessary tools for the installation. It is advisable to prepare a clear area to assemble the products. Lay a soft blanket or sheet to protect the metal finish from scratches.

Tools Required



Hand Held Drill



Safety Goggles



Spirit Level



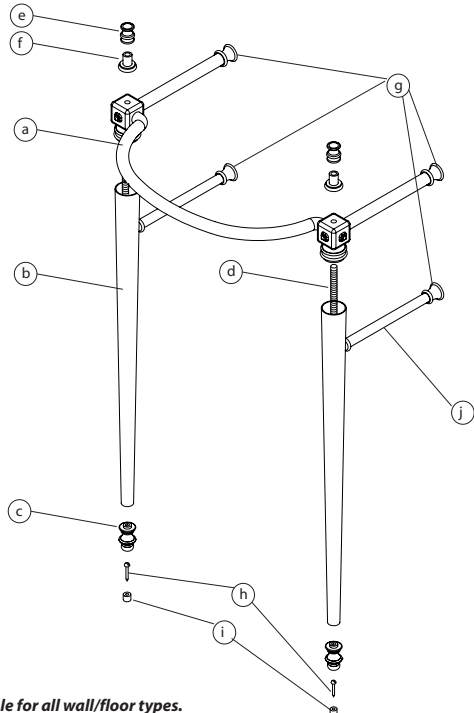
Tape Measure



Pencil

Assembly Instructions

Ref	Part	Qty
a	Assembled Top Frame	x1
b	Leg Tube	x2
c	Foot	x2
d	Threaded Rod	x2
e	Adjustor Cap	x2
f	Adjustor Base	x2
g	Wall Cups	x4
h	Floor Screws	x2
i	Floor Peg	x2
j	Towel Bar	x2
k	Wall Screws	x4
N/a	Rawl Plugs	x4
N/a	Hexagonal key tool	x1



PLEASE NOTE: Fixings supplied may not be suitable for all wall/floor types.
Please check and carefully evaluate the fixings to establish suitability.
Substitute in suitable fittings where necessary to best fit your wall/floor type.

IMPERIAL

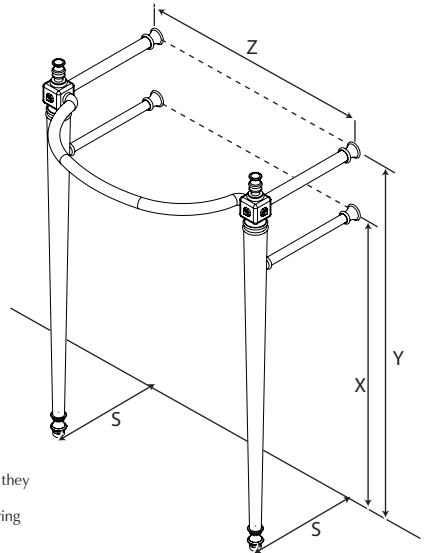
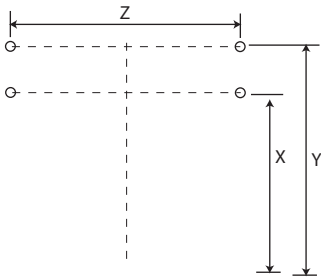
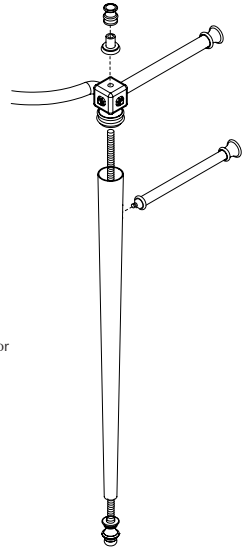
1: Unscrew the Adjustor Cap and Adjustor Base from the top of the threaded rod

2: Insert threaded rod through the Top Frame and secure by screwing the Adjustor Base and Adjustor Cap. onto the section of Threaded Rod protruding from the Top Frame. (Repeat for the other leg)

3: Screw the Towel Arm to the hole in the rear of the Tapered Leg. (Repeat for other leg)

4: Mark the wall & floor in desired position using the table below to determine the correct fixing positions for the Wall Cups. Ensure that a spirit level is used to ensure that the markings are level and true.

	Astoria	Drift	Heyford/Oxford
X	580	580	580
Y	710	710	710
Z	390	470	470
S	340	235	230



5: Position the assembled stand against the markings on the wall to ensure that they are correct.

REMEMBER to account for the thickness of any skirting boards when measuring dimension "S" and adjust your marking accordingly!

Please ensure you are 100% happy with your marking prior to undertaking the next steps.



CAUTION: Before carrying out the following steps ensure there is no hidden pipework or cables in the area that you intend to drill. Always ensure that you take the necessary safety precautions.

IMPERIAL

6: Using a suitable bit, drill the walls and floor in the positions as marked.

7: Insert wall plugs into the holes drilled.

8: Attach the floor pegs to the floor



CAUTION: Affixing the floor pegs is a critical measure in ensuring the safe and proper installation of this product. This is a health and safety measure and must be carried out in order to maintain the structural integrity of the stand.

9: Attach the wall cups to the wall in the positions drilled by screwing them into position.

10: Place the stand so that the rear arms fit into the wall cups and the legs sit over the floor pegs.

11: Secure the stand in place by tightening the grub screws using the Hexagonal key provided.

12: Carefully lower the basin into location and check that the product sits level. Fine adjustments can be made by rotating the Adjustor Caps. Once you are fully happy with the fit of the basin on the stand run a bead of silicon along the back face of the basin and ensure contact with the wall is made. At this stage please complete the necessary plumbing in of taps and waste fittings.

