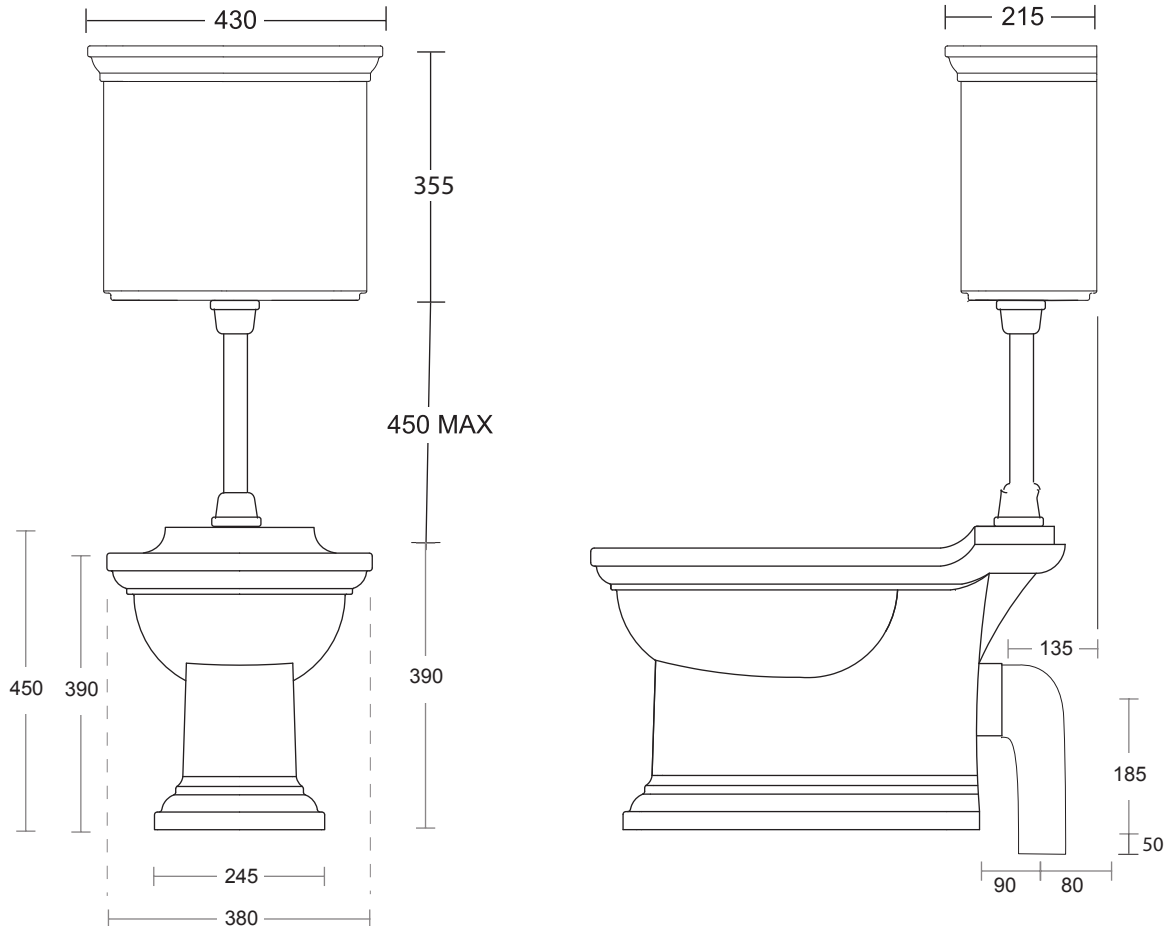


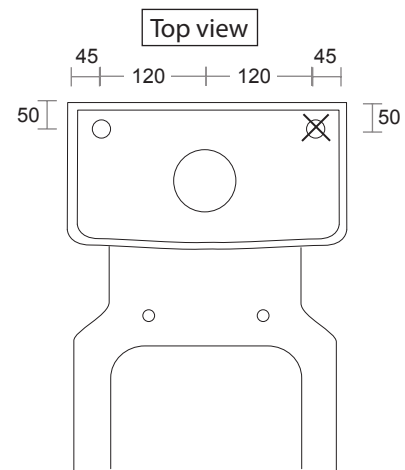
Ceramic Collection	
Radcliffe	Low level WC Pan with Connector



**PLEASE NOTE!!:** Although the Radcliffe LL WC has two inlet holes it is strongly suggested that a left hand inlet install is used.

If the inlet is installed on the right it will clash with the flush handle bar.

The flush handle bar can be trimmed to aid a right hand install, however this is not advised due to the space confines of the cistern.



We recommend that all products are purchased with the assistance of a specialist bathroom retailer and always installed by an experienced installer who is a member of a recognized association. All sizes quoted are nominal: items may vary by plus or minus 2% against the figures quoted. When planning installations where dimensions are critical, it is essential that the space allowed for individual items is physically checked. Imperial Bathrooms can not be held liable for any costs associated with items not fitting in any given area. The contents of this statement are based on information correct at the time of publication. We reserve the right to make alterations and changes in product characteristics, fixing, packaging, operation etc at any time without notice.

For further information on fitting guidelines, Terms and Conditions and Warrantee details, please refer to the back of the 2008 Design Guide or contact Imperial's Customer Service team on 0870 60 61 62 3 or [sales@imperial-bathrooms.co.uk](mailto:sales@imperial-bathrooms.co.uk)