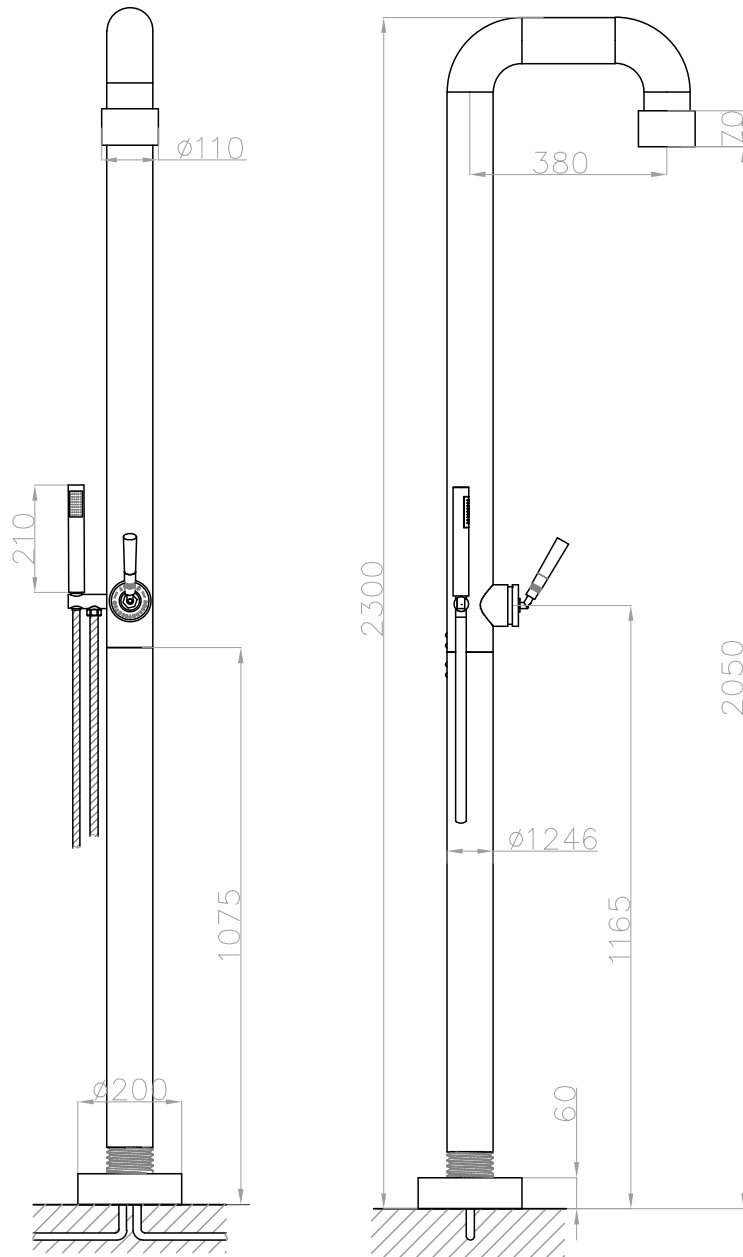


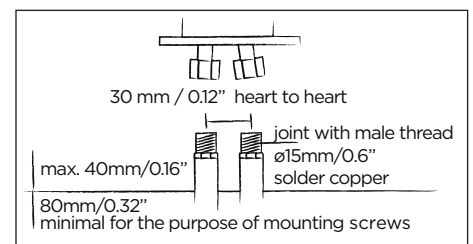
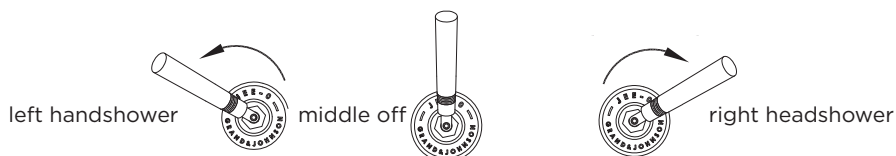


JEE-O soho shower 02 specifications

JEE-O by DADO



Note:
UV radiation and extreme temperature can affect the color and structure of the JEE-O soho shower 02 surface.



Article code:	700-6212 700-6210 (RAW version)	Dimension package:	L 150 x W 58 x H 20 cm
Material:	Stainless Steel r304	Total weight:	19.4 kg / 41.9 lbs
Coating:	hammercoat black (1.5) Electro powder spray	Package weight:	3.6 kg / 7.9 lbs
Cartridge:	Kerox ceramic mixing mechanism (progressive), item code 005-0203	Placing on a water-tight floor	
Cleaning:	cleaning vinegar or alcohol	2 year warranty	
Connection:	2 x G 1/2" ($\phi 15\text{mm} / 0.6"$) nylon ^(out) /epdm ⁽ⁱⁿ⁾ flexhose with brass swivel	HS code: 84818011900	
Thread:	British Standard Pipe (BSP)		
Flexhose:	150 cm length		
Flow at water of 38°C / 100,4°F:	10l / 2,6gal p/m at 3bar presure	SLS BS EN 817, SS 375, AS/NZS 4020, BS EN	