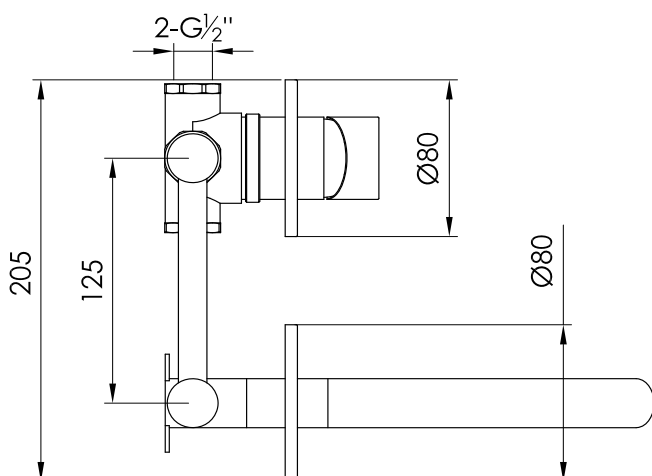
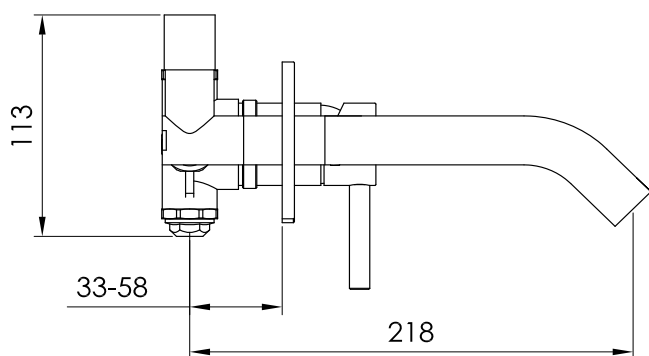




JEE-O slimline basin wall specifications



Note:
UV radiation and extreme temperature
can affect the color and structure of the
surface of the **structured BLACK** version.

Article code: **800-1500** (brushed finish)
800-1501 (polished finish)
800-1503 (structured BLACK finish)

Material: Stainless Steel r304
Cartridge: Sedal ceramic mixing mechanism (40 mm)

Cleaning: JEE-O protect
Connection: 2 x G 1/2"

Dimension package: L 45 x W 27 x H 14cm
Weight: 2.1 kg / 4.7 lbs
Package weight: 0.6kg / 1.3 lbs

2 year warranty
HS code: 84818011900