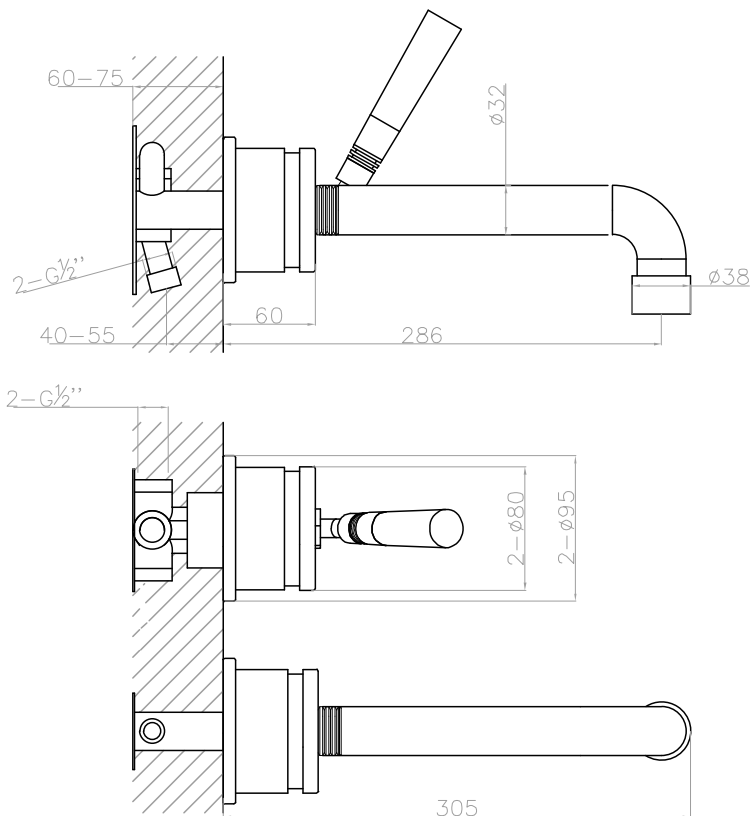
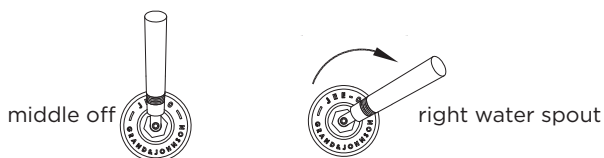




JEE-O soho basin wall specifications



Note:
UV radiation and extreme temperature can affect the color and structure of the JEE-O soho basin wall surface.



Article code:	700-1502	Dimension package:	L 56 x W 34 x H 17 cm
Material:	Stainless Steel r304	Total weight:	4.4 kg / 9.7 lbs
Coating:	hammercoat black (1.5) Electro powder spray	Package weight:	0.9 kg / 2.0lbs
Cartridge:	Sedal ceramic mixing mechanism (progressive)		2 year warranty
Cleaning:	cleaning vinegar or alcohol		HS code: 84818011900
Connection:	Ø15mm / 0.6"		
Flow at water of 38°C / 100,4°F:	10l / 2,6gal p/m at 3bar presure		

SLS BS EN 817, SS 375, AS/NZS 4020, BS EN